

Tank-Mounted Filter Kit

KTK



Features and Benefits

- Special tank-mounted filter kit
- Includes: cap assembly, weld ring assembly, element and bushing
- Available with standard K, KK or 27K-size elements
- Bypass valve in cap assembly

Model No. of filter in photograph is KTK-KKZ10.



**MOBILE
VEHICLES**

100 gpm
380 L/min
100 psi
7 bar

IRF
TF1
KF3
KL3
LF1-2"
MLF1
RLD
GRTB
MTA
MTB
ZT

Applications

KFT
RT
RTI
LRT
ART
BFT
QT

KTK

LTK

MRT

Filter Housing Specifications

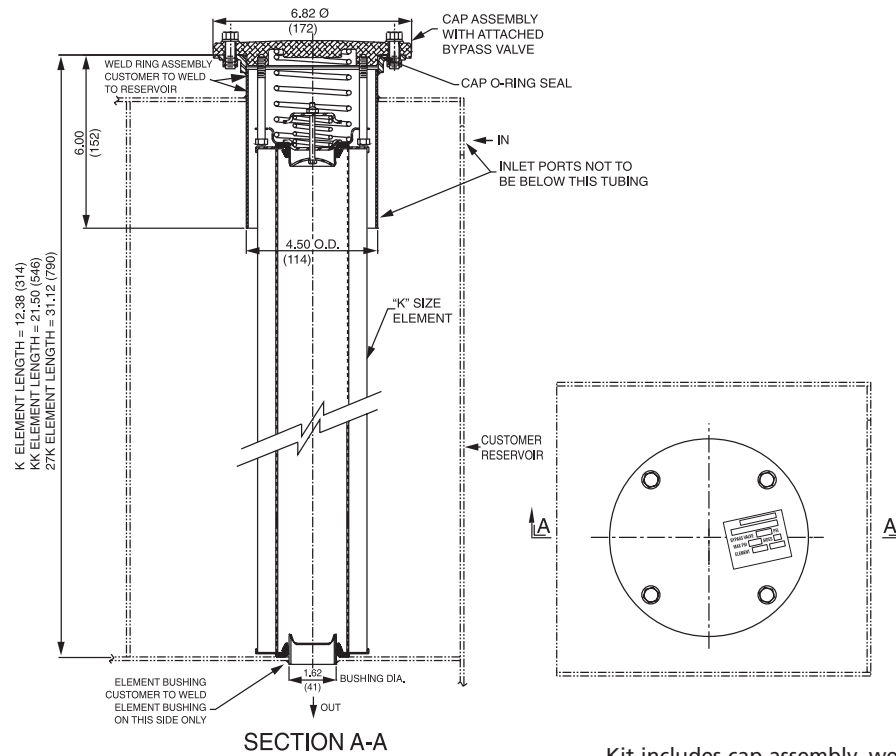
Accessories for Tank-Mounted Filters

PAF1

MAF1

MF2

Flow Rating:	Up to 100 gpm (380 L/min) for 150 SUS (32 cSt) fluids
Max. Operating Pressure:	100 psi (7 bar) exclusive of tank design
Min. Yield Pressure:	Contact factory
Rated Fatigue Pressure:	Contact factory
Temp. Range:	-20°F to 225°F (-29°C to 107°C)
Bypass Setting:	Cracking: 25 psi (1.7 bar) Full Flow: 40 psi (2.8 bar)
Porting Cap:	Die Cast Aluminum
Weld Ring:	Steel
Element Change Clearance:	8.0" (205 mm) for K; 17.50" (445 mm) for KK; 26.5" (673 mm) for 27K



Metric dimensions in ().

Kit includes cap assembly, weld ring assembly, element, and bushing.

Element Performance Information

Element	Filtration Ratio Per ISO 4572/NFPA T3.10.8.8 Using automated particle counter (APC) calibrated per ISO 4402			Filtration Ratio wrt ISO 16889 Using APC calibrated per ISO 11171	
	$\beta_x \geq 75$	$\beta_x \geq 100$	$\beta_x \geq 200$	$\beta_x(d) \geq 200$	$\beta_x(d) \geq 1000$
K3	6.8	7.5	10.0	N/A	N/A
K10	15.5	16.2	18.0	N/A	N/A
KZ1	<1.0	<1.0	<1.0	<4.0	4.2
KZ3/KAS3	<1.0	<1.0	<2.0	<4.0	4.8
KZ5/KAS5	2.5	3.0	4.0	4.8	6.3
KZ10/KAS10	7.4	8.2	10.0	8.0	10.0
KZ25	18.0	20.0	22.5	19.0	24.0
KZW1	N/A	N/A	N/A	<4.0	<4.0
KZW3/KKZW3	N/A	N/A	N/A	4.0	4.8
KZW5/KKZW5	N/A	N/A	N/A	5.1	6.4
KZW10/KKZW10	N/A	N/A	N/A	6.9	8.6
KZW25/KKZW25	N/A	N/A	N/A	15.4	18.5

Dirt Holding Capacity

Element	DHC (gm)	Element	DHC (gm)	Element	DHC (gm)	Element	DHC (gm)	Element	DHC (gm)
K3	54	KK3	108	27K3	162				
K10	44	KK10	88	27K10	132				
KZ1	112	KKZ1	224	27KZ1	336	KZW1	61		
KZ3/KAS3	115	KKZ3	230	27KZ3	345	KZW3	64	KKZW3	128
KZ5/KAS5	119	KKZ5	238	27KZ5	357	KZW5	63	KKZW5	126
KZ10/KAS10	108	KKZ10	216	27KZ10	324	KZW10	57	KKZW10	114
KZ25	93	KKZ25	186	27KZ25	279	KZW25	79	KKZW25	158

Element Collapse Rating: 150 psid (10 bar) for standard elements

Flow Direction: Outside In

Element Nominal Dimensions: 3.9" (99 mm) O.D. x 9.0" (230 mm) long

Tank-Mounted Filter Kit

KTK

Type Fluid	Appropriate Schroeder Media
Petroleum Based Fluids	All E media (cellulose), Z-Media® and ASP media (synthetic)
High Water Content	All Z-Media® and all ASP media (synthetic)
Invert Emulsions	10 and 25 µ Z-Media® and 10 µ ASP media (synthetic)
Water Glycols	3, 5, 10 and 25 µ Z-Media® and all ASP media (synthetic)
Phosphate Esters	All Z-Media® (synthetic) with H (EPR) seal designation and 3 and 10 µ E media (cellulose) with H (EPR) seal designation and ASP media (synthetic)
Skydrol®	3, 5, 10 and 25 µ Z-Media® (synthetic) with H.5 seal designation (EPR seals and stainless steel wire mesh in element, and light oil coating on housing exterior) and all ASP media (synthetic)

Fluid Compatibility

Skydrol® is a registered trademark of Solutia Inc.

$\Delta P_{\text{element}}$			
$\Delta P_{\text{element}} = \text{flow} \times \text{element } \Delta P \text{ factor} \times \text{viscosity factor}$			
<i>El. ΔP factors @ 150 SUS (32 cSt):</i>			
	1K	2K	27K
K3	.25	.12	.08
K10	.09	.05	.03
K25	.02	.01	.01
KZ1	.20	.10	.05
KZ3/KAS3	.10	.05	.03
KZ5/KAS5	.08	.04	.02
KZ10/KAS10	.05	.03	.02
KZ25	.04	.02	.01
	1K	2K	
KZW1	.43		
KZW3	.32	.16	
KZW5	.28	.14	
KZW10	.23	.12	
KZW25	.14	.07	

If working in units of bars & L/min, divide above factor by 54.9.

Viscosity factor: Divide viscosity by 150 SUS (32 cSt).

Pressure Drop Information

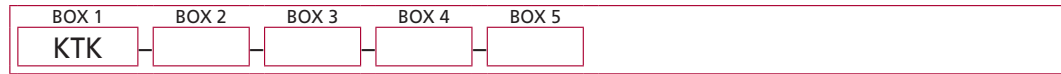
Based on Flow Rate and Viscosity

Notes

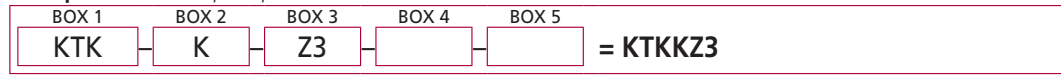
- IRF
- TF1
- KF3
- KL3
- LF1-2"
- MLF1
- RLD
- GRTB
- MTA
- MTB
- ZT
- KFT
- RT
- RTI
- LRT
- ART
- BFT
- QT
- KTK**
- LTK
- MRT
- Accessories for Tank-Mounted Filters
- PAF1
- MAF1
- MF2

Filter Model Number Selection

How to Build a Valid Model Number for a Schroeder KTK:



Example: NOTE: One option per box



BOX 1	BOX 2	BOX 3
Filter Series	Element Length	Element Part Number
KTK	K KK 27K	3 = 3 μ E media (cellulose) 10 = 10 μ E media (cellulose) 25 = 25 μ E media (cellulose) Z1 = 1 μ Excellement® Z-Media® (synthetic) Z3/AS3 = 3 μ Excellement® Z-Media® (synthetic) Z5/AS5 = 5 μ Excellement® Z-Media® (synthetic) Z10/AS10 = 10 μ Excellement® Z-Media® (synthetic) Z25 = 25 μ Excellement® Z-Media® (synthetic) ZW1 = 1 μ Aqua-Excellement™ ZW media ZW3 = 3 μ Aqua-Excellement™ ZW media ZW5 = 5 μ Aqua-Excellement™ ZW media ZW10 = 10 μ Aqua-Excellement™ ZW media ZW25 = 25 μ Aqua-Excellement™ ZW media ZW1 = 1 μ Aqua-Excellement™ ZW media ZW3 = 3 μ Aqua-Excellement™ ZW media ZW5 = 5 μ Aqua-Excellement™ ZW media ZW10 = 10 μ Aqua-Excellement™ ZW media ZW25 = 25 μ Aqua-Excellement™ ZW media

BOX 4	BOX 5
Seal Material	Dirt Alarm® Options
Omit = Buna N H = EPR W = Buna N H.5 = Skydrol® Compatibility	Omit = None Visual Y2C = Bottom-mounted gauge in cap

NOTES:

Box 3. Replacement element part numbers are identical to contents of Boxes 2, 3, and 4.

Box 4. For options H and W, cap is anodized. H.5 seal designation includes the following: EPR seals, stainless steel wire mesh on elements, and light oil coating on housing exterior. Skydrol® is a registered trademark of Solutia Inc.